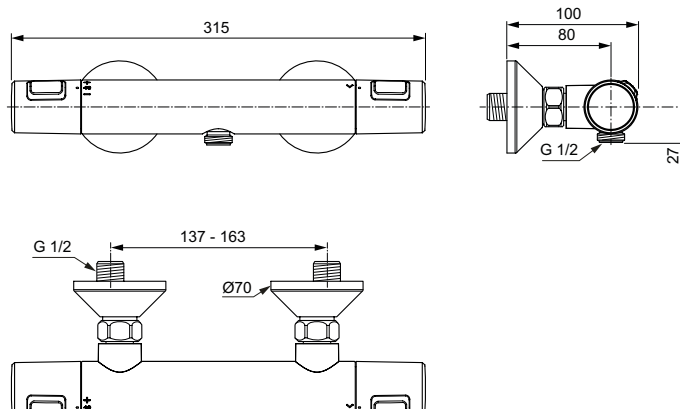


## Shower Mixer

## Ceratherm T25



Article-No.: A7201AA

### Exposed thermostatic shower mixer

Ceratherm T25 exposed model, standard S-connectors. With IS Thermostatic cartridge new technology, Ceramic valve G1/2 180°, Plastic handles with hot water at 40°C stop button and 50% water volume stop button, Non return valve. Without accessories. Optional equipment: Wrap over shelf for T25, T50 and T100 - A7215AA.

Colour: AA - Chrome

Technology: FirmaFlow Therm

#### More product details:

Type:	Thermostatic shower mixer
Mounting:	Exposed
Operation Type:	Thermostatic
Style:	Contemporary
Accreditations:	EN1111
Operation Pressure (bar):	3
Flow Rate (litre):	22
Net Weight (kg):	1,1
Material:	Chrome plated brass
Height (mm):	70
Width (mm):	315
Depth (mm):	100